



# Fully Automatic Espresso Machine

User Manual



EM 9194 0

EN



01M-8911361100-3222-17

# Please read this user manual first!

Dear Customer,

Thank you for selecting this Arçelik product. We hope that you get the best results from your product, which has been manufactured to a high quality with state-of-the-art technology. Please read this entire user manual and all other accompanying documents carefully before using the product and keep them as a reference for future use. If you pass on the product to someone else, please give them the user manual as well. Please take into consideration all warnings and information in the user manual.

## Explanation of symbols

The following symbols are used in the various section of this manual:



Important information or useful hints about usage.



**DANGER:** This warning for dangerous situations with regard to life and property.



**WARNING:** This warning indicates potentially dangerous situations



**CAUTION:** This warning indicates the potential for material damage.



Materials are suitable for in contact with food.



**RECYCLED &  
RECYCLABLE  
PAPER**

# 1 Important instructions for safety and the environment

This section includes the safety instructions that will help provide protection against risks of personal injury and material loss. Failure to follow these instructions invalidates any warranty.

## 1.1 Danger of electric current

Danger to life due to electric current!

Contact with live wires or components could lead to serious injury or even death!

Observe the following safety precautions to avoid electric shocks:

- Do not use the product if the power cable or the appliance itself is damaged. Contact the authorised service.
- Do not open the housing of the coffee machine. There is a risk of electric shock if live connections are touched and/or the electrical and mechanical configuration is changed.

- Before cleaning the bean hopper, unplug the appliance from the mains socket. Danger from the coffee grinder rotating!

## 1.2 Danger of burning or scalding

Parts of the coffee machine can become very hot during operation! Dispensed drinks and escaping steam are very hot!

Observe the following safety precautions to avoid burning/scalding yourself and/or others:

- Do not touch either of the metal sleeves on both coffee spouts.
- Avoid direct contact of the skin with steam escaping the machine or hot rinsing, cleaning or descaling water.

# 1 Important instructions for safety and the environment

## 1.3 Basic safety precautions

Observe the following safety precautions to ensure safe handling of the coffee machine:

- Never play with packaging material. There is a risk of suffocation. Keep all packaging materials away from children.
- Inspect the coffee machine for visible signs of damage before use. Do not use a damaged coffee machine. Contact the authorised service.
- If the connecting cable is damaged, it should only be replaced by a service agent recommended by the manufacturer in order to prevent any danger! Please contact the manufacturer or their customer service.
- Repairs to the coffee machine must only be carried out by an authorised specialist or customer service representative. Repairs by unauthorized persons can lead to considerable danger for the user. These actions will also void the warranty.
- Repairs to the coffee machine during the warranty period may only be carried out by service centres authorised by the manufacturer, otherwise the warranty will become void in the event of subsequent damage.
- Defective parts may only be replaced with original spare parts. Only original spare parts guarantee that the safety requirements are met.



# 1 Important instructions for safety and the environment

- This appliance can be used by children over the age of 8 as well as by persons with reduced physical, sensory or mental abilities or those lacking experience and/or knowledge provided that these persons are supervised or have been instructed as to how to use the appliance in a safe way and have understood the hazards that could arise from using it. Children must not play with the appliance. Cleaning and user maintenance shall not be carried out by children unless they are over the age of 8 and supervised.
- This appliance is intended to be used in household and similar applications such as:
  - staff kitchen areas in shops, offices and other working environments,
  - farm houses,
  - by customers in hotels, motels and other residential type environments,
  - bed and breakfast type environments.
- Protect the coffee machine against the effects of weather such as rain, frost and direct sunlight. Do not use the coffee machine outdoors.
- Never immerse the coffee machine itself, the mains cable or the mains plug in water or other liquids.
- Do not clean the coffee machine or accessories in a dishwasher.
- Do not pour any liquids other than water or place foodstuffs into the water tank.
- Do not fill the water tank beyond the maximum mark (the lower edge of the filling hole).
- Only operate the machine when the waste container, drip tray and the cup grate are fitted.

# 1 Important instructions for safety and the environment

- Do not pull the cable to remove the plug from the mains socket or touch with wet hands.
- Do not hold the coffee machine by the mains cable.
- Keep the appliance and its cord out of reach of children aged 8 or under.
- The appliance can only be used to prepare coffee.
- Children should be supervised to ensure that they do not play with the appliance.
- Unplug the appliance before each clean and when the appliance is not in use.
- Place the appliance in a way that the plug is always accessible.
- Always use the appliance on a stable, flat, clean, dry and non-slip surface.
- The appliance is not an integrated coffee machine and is not designed use inside a cabinet. The coffee maker shall not be place in a cabinet while in use.
- Do not squeeze or bend the power cord and do not rub it on sharp edges in order to prevent any damage to the power cord. Keep the power cord away from hot surfaces and naked flames.
- Ensure that the mains power supply complies with the information supplied on the rating plate of the appliance.
- Use the appliance only with a grounded socket.
- Do not use the appliance with an extension cord.
- Do not touch the appliance or its plug with wet or damp hands when the appliance is plugged in.

# 1 Important instructions for safety and the environment

## 1.4 Intended use

The Beko fully automatic coffee machine is intended for use in homes and similar applications, such as in staff kitchens, shops, offices and similar areas or by customers in bed & breakfast, hotels, motels and other living accommodation. This coffee machine is not intended for commercial use. The machine is only intended for preparing coffee and heating milk and water. Any other use other than previously stated is considered as improper use.

### Danger resulting from improper use!

If the coffee machine is not used for its intended purpose, it may become a source of danger.



**WARNING:** Consequently, the coffee machine must only be used for its intended purpose.



**WARNING:** Follow the procedures described in this user manual.

No claims of any kind will be accepted for damage or injury resulting from the use of the coffee machine for purposes other than its intended use.

The risk must have been borne solely by the machine owner.

## 1.5 Limitation of liability

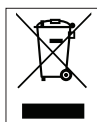
All technical information, data and instructions on installation, operation and maintenance of the coffee machine contained in these operating instructions represent the current status at the time of printing and are based on the best possible knowledge gained by experience and knowhow.

No claims/demands can be inferred from the information, illustrations and explanations in this user manual.

The manufacturer assumes no liability for damage or injury resulting from failure to observe the user manual, use of the product for purposes other than the intended use, unprofessional repairs, unauthorised modifications or use of non-approved spare parts.

## 1.6 Compliance with the WEEE Directive and Disposing of the Waste Product:

This product complies with EU WEEE Directive (2012/19/EU). This product bears a classification symbol for waste electrical and electronic equipment (WEEE).



This symbol indicates that this product shall not be disposed with other household waste at the end of its service life. The used device must be returned to an official collection point for the recycling of electrical and electronic devices. To find these collection points, please contact your local authority or retailer where the product was purchased. Each household performs an important role in the restoring and recycling of old appliances. The appropriate disposal of used appliance helps prevent potential negative consequences for the environment and human health.

## 1.7 Compliance with RoHS Directive

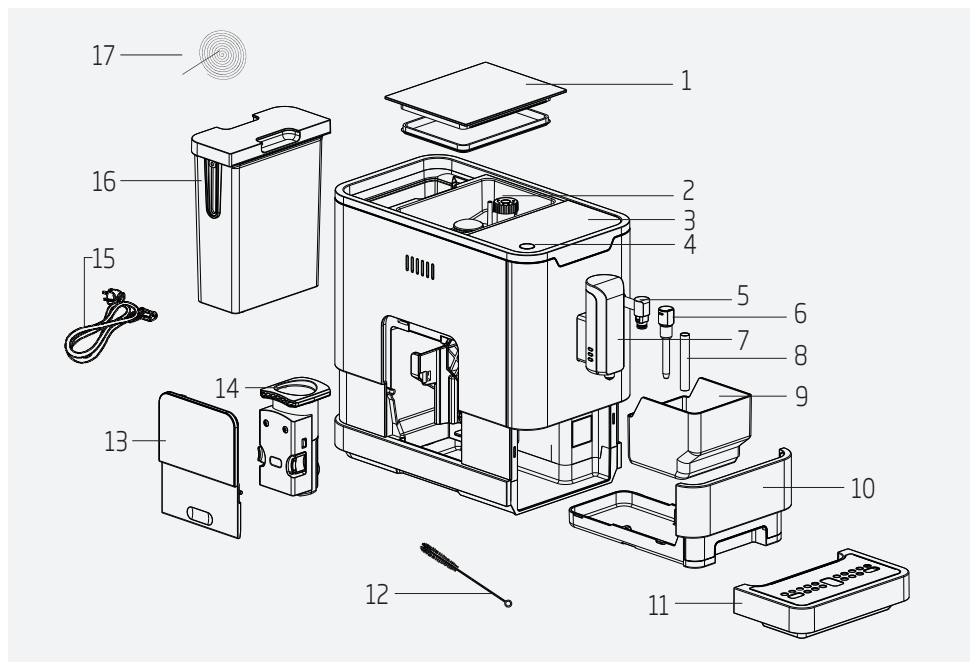
The product you have purchased complies with EU RoHS Directive (2011/65/EU). It does not contain harmful and prohibited materials specified in the Directive.

## 1.8 Package information



The packaging materials of the product were manufactured from recyclable materials in accordance with our National Environment Regulations. Do not dispose of the packaging materials together with domestic or other waste. Take them to the packaging materials collection points designated by local authorities.

## 2 Your Fully Automatic Coffee Machine



1. Coffee Bean Container Cover
2. Coffee Bean Container
3. Control Panel
4. Power On/Off button
5. Steam Nozzle
6. Nozzle cover
7. Adjustable coffee spout
8. Metal tube
9. Coffee Grounds Container
10. Internal Drip Tray
11. External Drip Tray
12. Cleaning brush
13. Service Cover
14. Brewer
15. Power cord
16. Water Tank
17. Cleaning needle

### Technical data

#### Power supply:

220-240 V~, 50-60 Hz










#### Power: 1350 W

The right to make technical and design changes is reserved.

All declared values on the product and on the printed leaflets were obtained from laboratory measurements performed according to the relevant standards. These values may differ depending on usage and ambient conditions.

## 3 Display

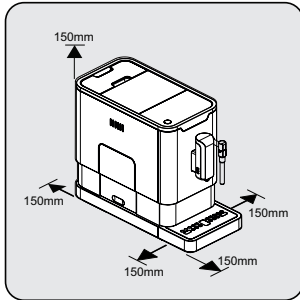
### 3.1 Control Panel

	Flashing: Low water level/ Water tank is not in its correct place
	Not enough coffee beans
	Steady warning light: The coffee grounds container is full Flashing light: The internal Drip Tray/coffee grounds container is not its its correct place
	Steady warning light: The Brewer is not in its correct place is missing/ incorrectly installed Flashing light: The service cover is open / incorrectly installed
	Steady warning light: Requires descaling Flashing light: Descaling is under way
	The Empty System Function is running
	Power On/Off Button
	Steam Button
	Hot Water Button
	Strong Espresso Button (25-40 ml coffee with one press of the button)
	Mild Espresso Button (51-69 ml coffee with one press of the button)

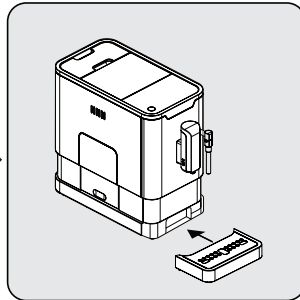
# 4 Preparation

## 4.1 Installation

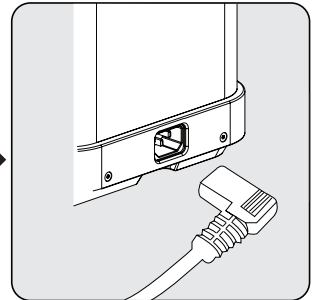
**i** Remove any protective films, stickers and any other packaging material from the appliance.



Choose a safe and stable surface with an easily reachable power supply and allow the minimum distance from the sides of the machines.



Insert the external drip tray. Make sure it is inserted correctly.



Unwind and straighten the power cord and insert the plug into the socket located on the back of the machine. Insert the other end of the power cord into a wall socket with the suitable power voltage.

## 4.2 Filling the water tank

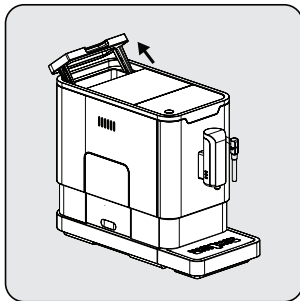


**About the protect program:** If the water tank is not fully placed into the machine, a protection mode will be activated 15 seconds into the brewing process. The hot water button will light up on the control panel.

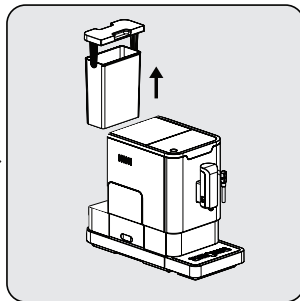
1. Make sure that the water tank is fully inserted into the machine.
2. Press the hot water button. After the hot water is dispensed, the machine will be in standby.



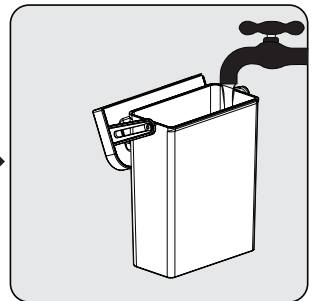
**WARNING:** When  is flashing, the water tank is at a low water level and requires filling.



Lift the water tank by using the lid as the handle.



Take the water tank out.



Rinse the water tank with fresh water and then fill the tank to the Max level and place it back into the machine. Make sure it is fully inserted.

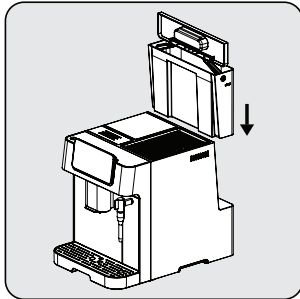
## 4 Preparation



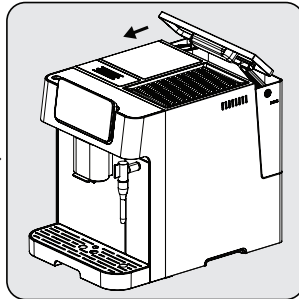
To prevent water overflowing from the water tank, do not add water directly into the appliance from another container.



**WARNING:** Never fill the water tank with warm or hot water, sparkling water or any other liquid that might damage the water tank and the machine.



Place the water tank back in by using the lid as the handle.

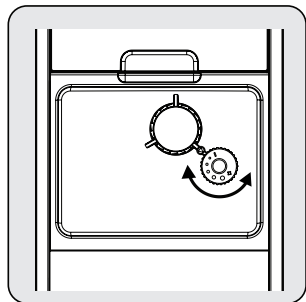


Close the water tank by using the lid.

## 5 Operation

### 5.1 Grinding Adjustment

You can adjust the grinder to suit the roast of your coffee by turning the adjuster knob on the bean container:



**WARNING:** Never adjust the grinder while it is in use.

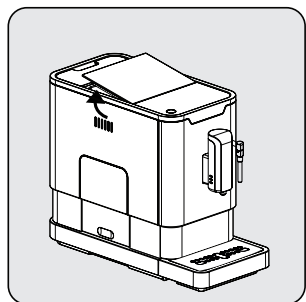


The dots on the adjuster knob indicate the fineness of the grind.

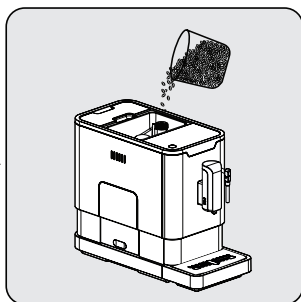
### 5.2 Filling the bean container



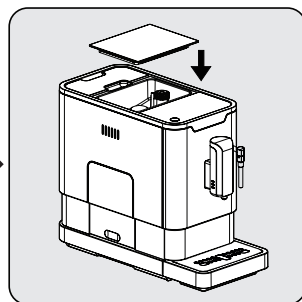
When  is flashing, the appliance needs to be filled with coffee beans.



Remove the bean container lid.



Slowly pour in the coffee beans.



Place the container lid back on.



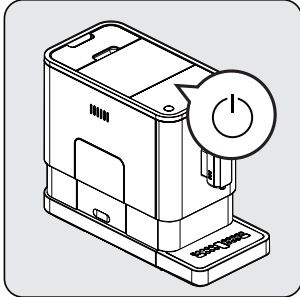
**WARNING:** Only fill the coffee bean container with coffee beans. Ground coffee, instant coffee, caramelized coffee and other types may damage the machine.



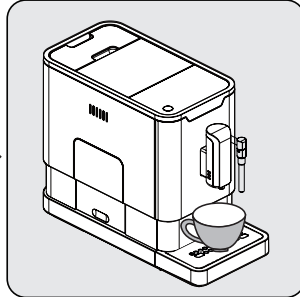
## 5 Operation

**i** Before the first use, press the hot water button to clean the inside of the coffee maker.

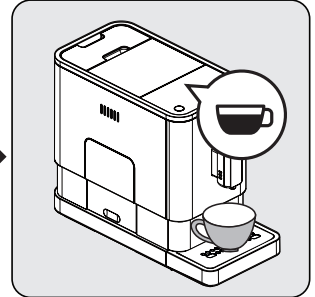
### 5.3 Preparing Your Coffee



Switch on the appliance by pressing the power on/off button. The appliance turns on in standby mode and will be ready for use when some hot water flows out of the coffee spout.



Place a cup under the coffee spout and adjust the height of the spout according to the cup.



Press the espresso button and the light will turn on with the illumination lights indicating that the appliance is preparing a cup of coffee. When the appliance returns to standby, the coffee is ready to serve.

**i** Switch off the appliance by pressing the power on/off button.

**i** Press the strong espresso or mild espresso button depending on your taste and preference.

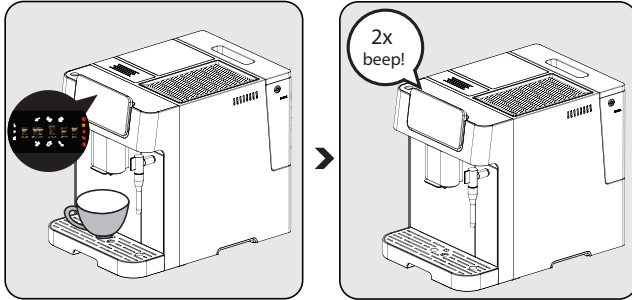
**i** Before first use, press the hot water button to clean the inside of the coffee maker.

**i** The appliance is equipped with auto-shutdown feature. Depending on the mode you have selected, the appliance will have a different auto-shutdown time.

## 5 Operation

### 5.4 Adjusting The Volume of Your Coffee/Hot Water

You can save the volume of your desired coffee for both strong espresso and mild espresso as well as hot water from 25ml to 250ml.



While making your coffee (either strong espresso or mild espresso), press and hold the button of the coffee you have selected. The appliance will continue to make the cup of coffee for as long as you hold down the button.

When the volume of coffee meets your desired volume, release the button. If you hear two beeps, that indicates the machine has saved this volume of coffee.

#### To reset to default/factory settings;

In order to reset to the default settings of coffee and hot water volume selection saved to memory, it is necessary to reset to factory settings.

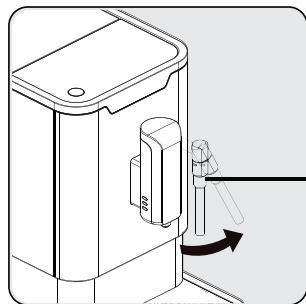
1. When the device is off, remove the inner and outer drip pans,
2. Remove the service cover,
3. Remove the brewer,
4. Put the service cover back in place,
5. Press and hold the power on/off button for 5 seconds (Two beeps will sound)
6. Open the service cover,
7. Put the brewer back in place,
8. Close the service cover,
9. Put the drip tray back in place.

Factory settings have been restored.

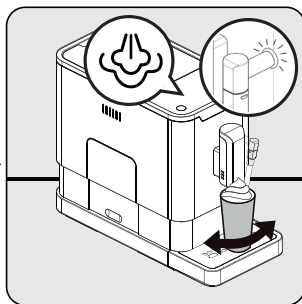
## 5 Operation

### 5.5 Preparing Frothy Milk for Coffee

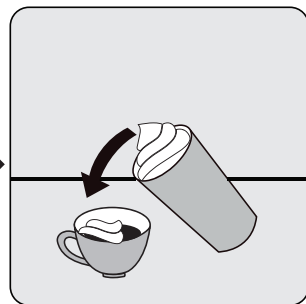
**i** As the temperature of steam is higher than the temperature of espresso, the espresso should be prepared before making frothy milk. Otherwise, the espresso may burn.



Prepare the espresso coffee with a larger cup. Turn the steam nozzle toward to the Drip Tray.



Press the steam button. The steam indicator light will flash and the appliance will heat up. Empty the residual water into the Drip Tray or another container. After the steam indicator light stops flashing and stays on, place a container with milk under the steam nozzle and immerse the steam nozzle about 5cm deep in the container. Swivel the container when the hot steam comes out.



Pour the hot frothy milk onto the espresso. You can now enjoy your coffee!

**i** After using the steam nozzle, please clean the nozzle of milk residue by wiping the nozzle with a wet doth.

**i** It is recommended to remove any milk residue that may accumulate on the tip of the nozzle by activating the hot water function from the nozzle.

### 5.6 Hot Water

The appliance can dispense hot water by simply pressing the hot water button. The hot water button and the light being illuminated indicates that the appliance is heating up the water. When the hot water button and the light turn off, the hot water is ready.

### 5.7 Mode Selection



The machine has three different settings: the default setting, ECO mode and speed mode. In ECO mode, the appliance saves more energy. In speed mode, the user can make their coffee faster than when in the default settings.




## 5 Operation


	ECO Mode	Speed Mode	Default Settings
Illumination Light	No	Yes	Yes
Pre-brewing*	Yes	No	Yes
Auto-shutdown time	10mins	30mins	20mins
Cup Volume memory	Yes	Yes	Yes



The pre-brewing function moistens the ground beans in the brewer with a small amount of water before full extraction. This expands the coffee grounds to build up greater pressure in the brewer, which helps extract all the oils and bring out the full flavour of the beans.

1. When the machine is on standby, press and hold the  for 5 seconds.
2. The  will then flash and the following buttons will have the following indications for different settings:

	Hot water button 	Strong espresso button 	Mild espresso button 
In ECO Mode	Lights On	Flashing	Flashing
In Speed Mode	Yes	No	Flashing
In Default Settings	Flashing	Flashing	Lights On

3. Press the hot water button for ECO mode, the strong espresso button for Speed Mode and the mild espresso button for default settings. You'll hear two beeps when the mode has been selected. (Note: If you are pressing the corresponding lights on the button for each mode, the machine will not respond).
4. If you would like the setting to remain unchanged, press  again or wait for 5 seconds for the machine to return to standby mode.

## 6 Cleaning

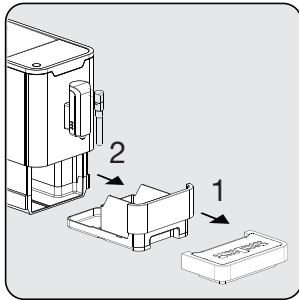
### 6.1 Cleaning the appliance

1. Disconnect the power cord from the mains supply outlet.
2. Pour away all the water in the internal and external drip trays.
3. Use a damp cloth or non-scratching cleaning agent to clean the water stains on the appliance.

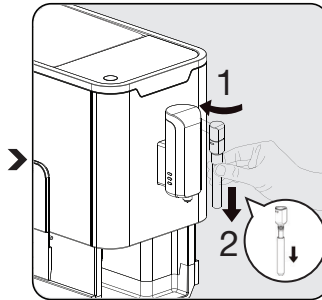


**WARNING:** Never use any abrasive, vinegar or descaling agents not included in the box to clean the appliance.

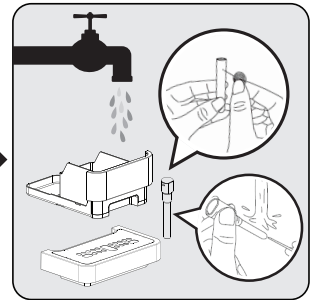
Timely cleaning and maintenance of the appliance is highly important in prolonging its life.



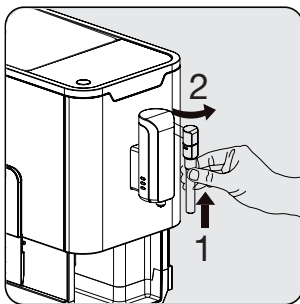
Remove the external drip tray. Slide open the internal drip tray and the coffee grounds container.



Remove the metal tube by pulling it down. Then remove the nozzle cover by turning it to the left to disassemble the nozzle cover and metal tube.




Empty the coffee grounds container and external drip tray. Wash the metal tube with warm running water and use the needle or the bristles of the brush to clean the hole. Wash the nozzle cover with warm running water and use the needle or the bristles of the brush to clean the hole. Dry them afterwards.

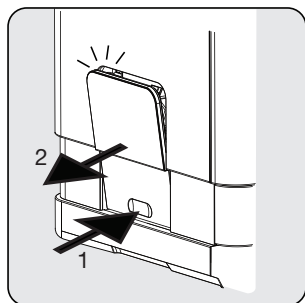


Attach the metal tube back to the nozzle cover. Then push it upward to put the nozzle cover back in its place and turn it to the right to lock it.

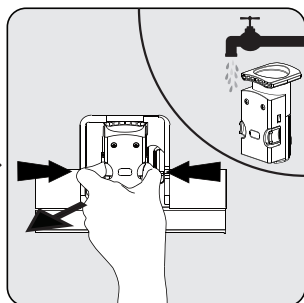


When  lights up, the coffee grounds container needs to be emptied. This icon will light up after every 10 coffee brews. Clean the container to turn off the light. If the container is clean, remove the container and put it back in its place.

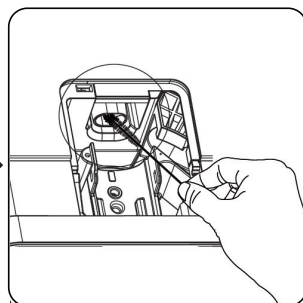
## 6 Cleaning



Press the unlock button, the service cover will pop out. Then pull out the service cover.



Squeeze the brewer unit. Remove the brewer. Wash the brewer with fresh water. Dry the brewer afterwards.



Clean the coffee outlet line with brush.



When  lights up, it indicates that the brewer is missing / incorrectly installed. When  is flashing, it indicates that the service cover is missing/incorrectly installed.

### 6.2 Self-Cleaning







**WARNING:** Please wait for the self-cleaning process to finish then switch off the machine.

When  is flashing, it indicates that the appliance needs to undergo self-cleaning. The appliance will remain in the best condition if this function is performed at least once a month or more regularly depending on the hardness of water used. You should also:

1. Fully fill the water tank.
2. Add one pack of cleaning agent included in the box to the water tank.






**WARNING:** Do not use vinegar or other cleaning agents for the self-cleaning of this appliance. Other cleaning agents may damage the appliance.

3. Plug in the appliance.
4. Place a sufficiently large container under the coffee spout and nozzle.
5. When on standby, press and hold  and the strong espresso button  for 5 seconds. You'll hear a beep and the strong espresso button  will flash.
6. Press the strong espresso button to confirm the self-cleaning process. To return to standby, press .
7. If it's flashing, that indicates that the appliance is self-cleaning.

## 6 Cleaning








**WARNING:** Keep the skin/body away from hot water.

8. When all the water in the water tank has been emptied, the  and self cleaning button  will flash. Remove all the remaining solution in the water tank and fill the tank with normal tap water up to the max position. When the tank is full, the  will go off. Then the appliance will continue the self-cleaning process.
9. When the self-cleaning process is completed, the appliance will switch off automatically.

### 6.3 Empty System Function

Use the empty system function before a long period of non-use, for frost protection, and before talking to a repair agent.




1. When on standby, press and hold the  and the mild espresso button  together for 5 seconds.
2.  will then start flashing.
3. Remove the water tank from the appliance.  will light up indicating that the empty system is under way. Press  before removing the water tank to return back to standby.
4. When the empty system function is completed, the appliance will switch off automatically.



**WARNING:** After performing the EMPTY SYSTEM FUNCTION; press the hot water button until water comes out of the spout when the coffee maker is reused again.

### 6.4 Manual Rinsing

You can manually rinse to clean the coffee nozzle after use. If the appliance has not been used for a long period of time, a manual rinse may be a good idea.

1. When in standby, press and hold the  and the hot water button  together.
2. The hot water button , the strong espresso button  and the mild espresso button  will then go off. The coffee nozzle will then dispense a small amount of water which is used for rinsing.



**WARNING:** The water that comes out of the coffee nozzle is hot and is collected in the drip tray underneath. Avoid contact as it splashes around.

3. After rinsing, the appliance will return to standby.

## 6 Cleaning

### Cancelling the auto-clean mode

Your appliance cleans itself automatically before and after each brewing operation. You may follow the steps below to cancel the auto-clean mode.

- Turn on the appliance by pressing the power on/off button and wait until it goes into standby mode.
- Open the service cover.
- Press the power on/off button for 5 seconds and a beep will sound.
- Close the service cover.
- The auto-clean operation has been cancelled.



We recommend that you use the auto-clean mode actively for healthy use.



## 7 Troubleshooting

Problem	Cause	Solution
The appliance does not work.	The appliance is not connected to the mains.	Plug in and press the switch. Check the cable and the plug.
No or delayed response in several attempts of pressing a function key on the panel	Appliance is under electromagnetic interference. The panel is dirty.	Unplug the appliance. Restart after a few minutes. Clean the panel with the cloth provided.
The coffee is not hot enough.	The cups have not been preheated. The brewing unit is too cold.	Warm up your cup by using steam function before you make the coffee or rinse the cup with hot water. Make sure that the water in the water tank is not too cold.
Coffee is not coming out of the coffee spout.	The empty system function may have been used previously. The coffee spout may not have been cleaned and is blocked by coffee residues.	Press the hot water button until water comes out of the spout. Clean the coffee spout.
The first cup of coffee is of poor quality.	The first running of the grinder does not place a sufficient quantity of coffee into the brewing unit.	Throw the coffee away. The next cups will be better.
The water tank is removed / the water level is very low in the water tank but there is no  alert.	The area near the water tank connector could be wet.	Wipe off the water around the water tank connector.
The internal drip tray is filled with a lot of water.	The ground coffee is too fine, which blocks the water from coming out.	Adjust the coffee fineness to larger grains for the grinding process.
Coffee is delivered too slowly or a drop at a time.	Coffee grounds are too fine, which blocks the water from coming out.	Adjust the coffee fineness to larger grains for the grinding process.
The indicator flashes to inform that there's not enough coffee beans, but there are plenty inside the container.	The internal coffee grounds outlet is blocked.	Follow the steps described for cleaning the coffee grounds outlet.
The brewer or the coffee ground tray is impossible to remove.	The appliance did not finish the self-cleaning process and was switched off.	Please switch on the machine again and let it finish its auto cleaning process.
The appliance no longer performs the rinsing cycle when switched on or off.	Improper handling when servicing the appliance may be the cause.	<ol style="list-style-type: none"> <li>1. When the appliance is on, remove the service panel.</li> <li>2. Press and hold the on/off button until you hear 2 beeps.</li> <li>3. Replace service panel.</li> </ol>
The touch buttons are not sensitive.	Not pressing the touch button from the front of the appliance.	Press the lower bottom part of the symbol of the touch button from the front of the appliance.